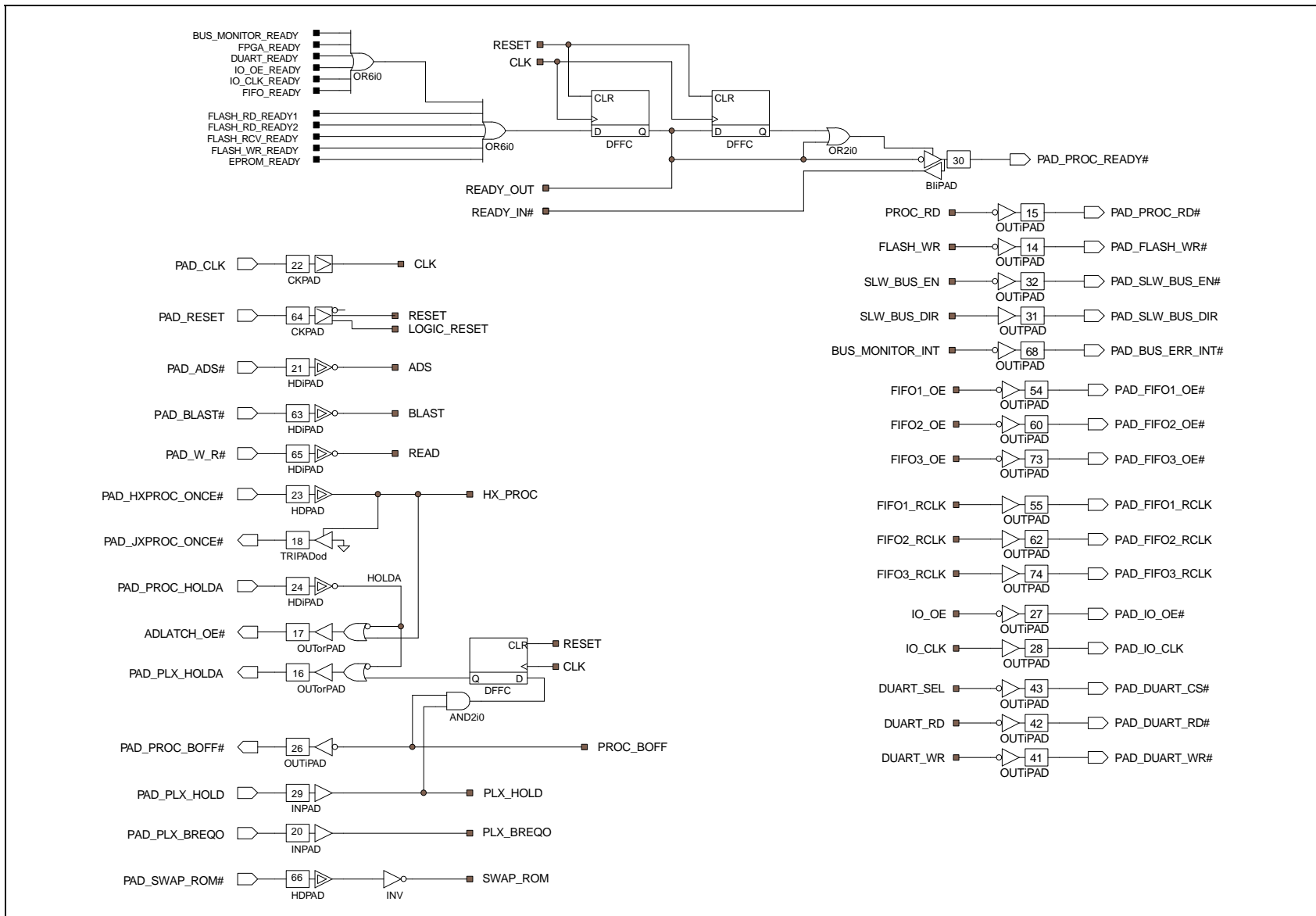
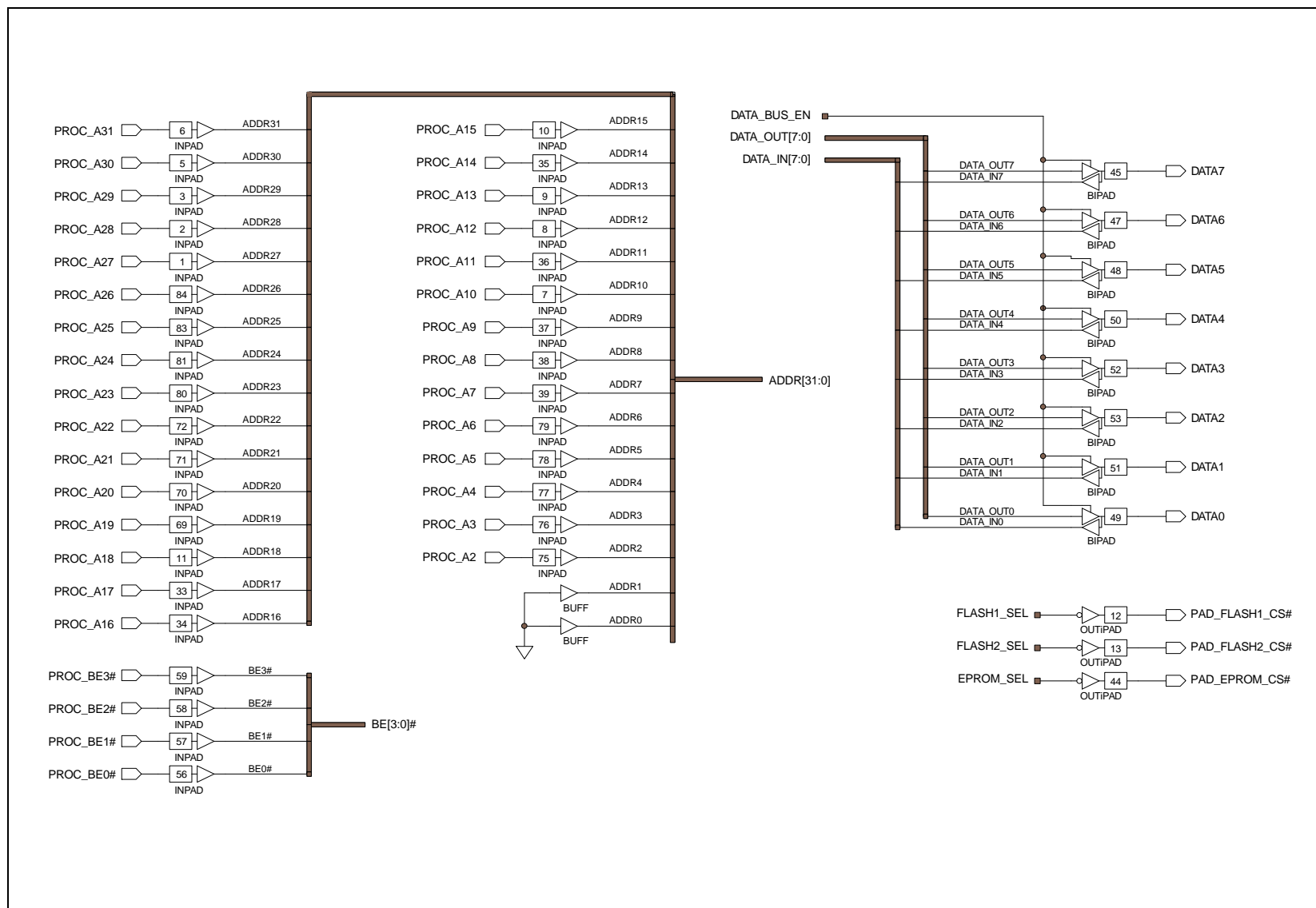


## MISC LOGIC FPGA SCHEMATICS

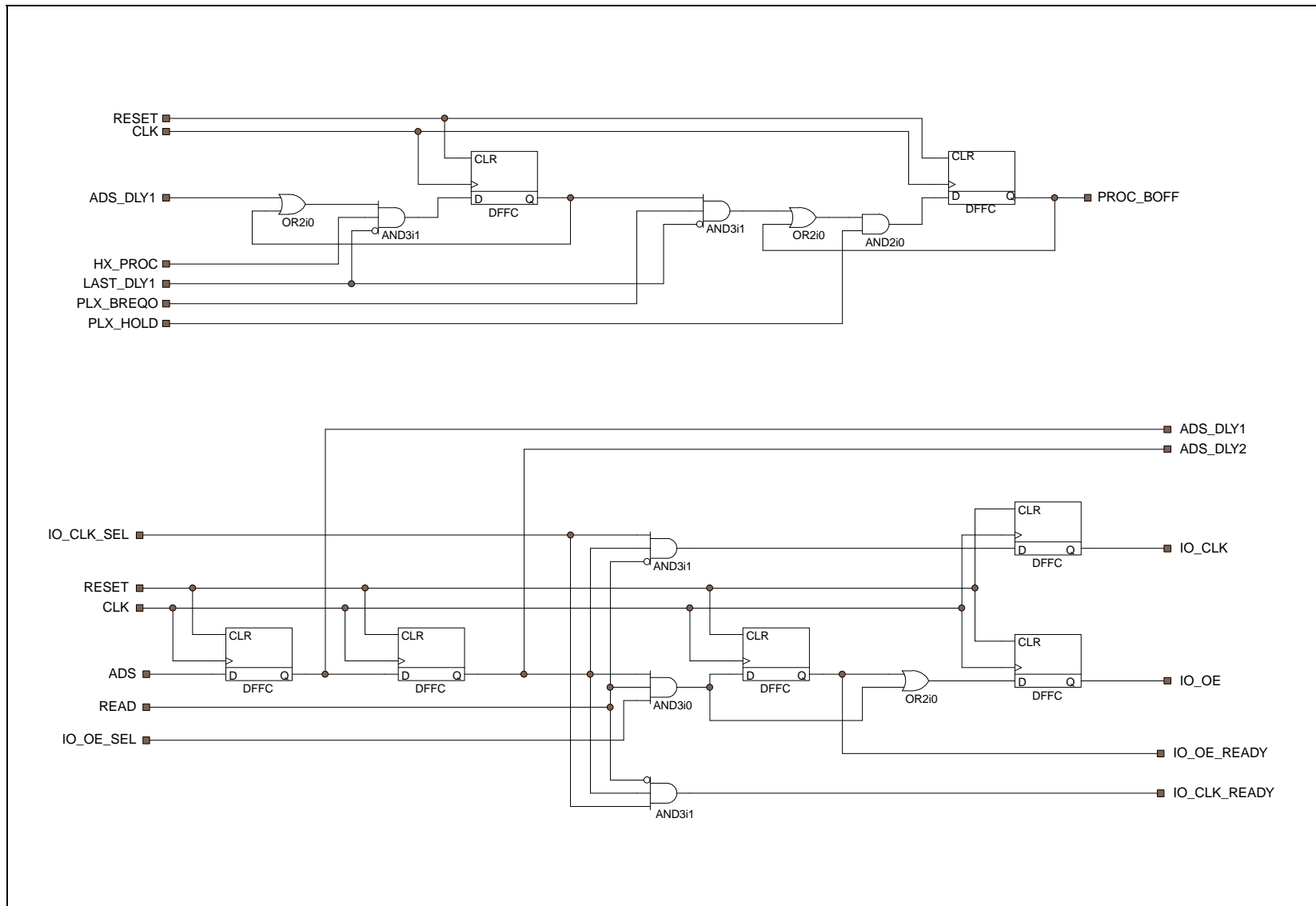




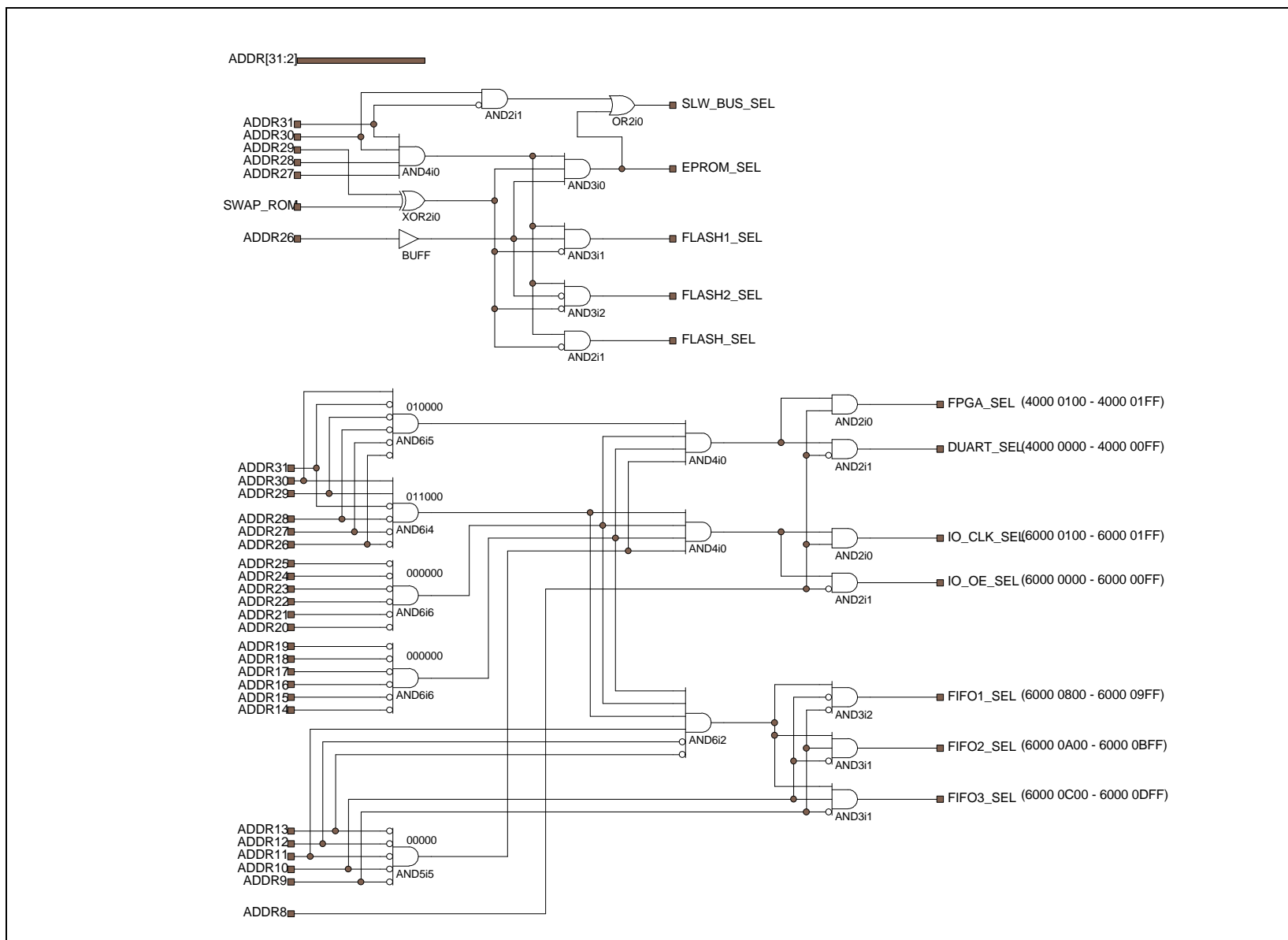
Misc Logic FPGA—Sheet 1



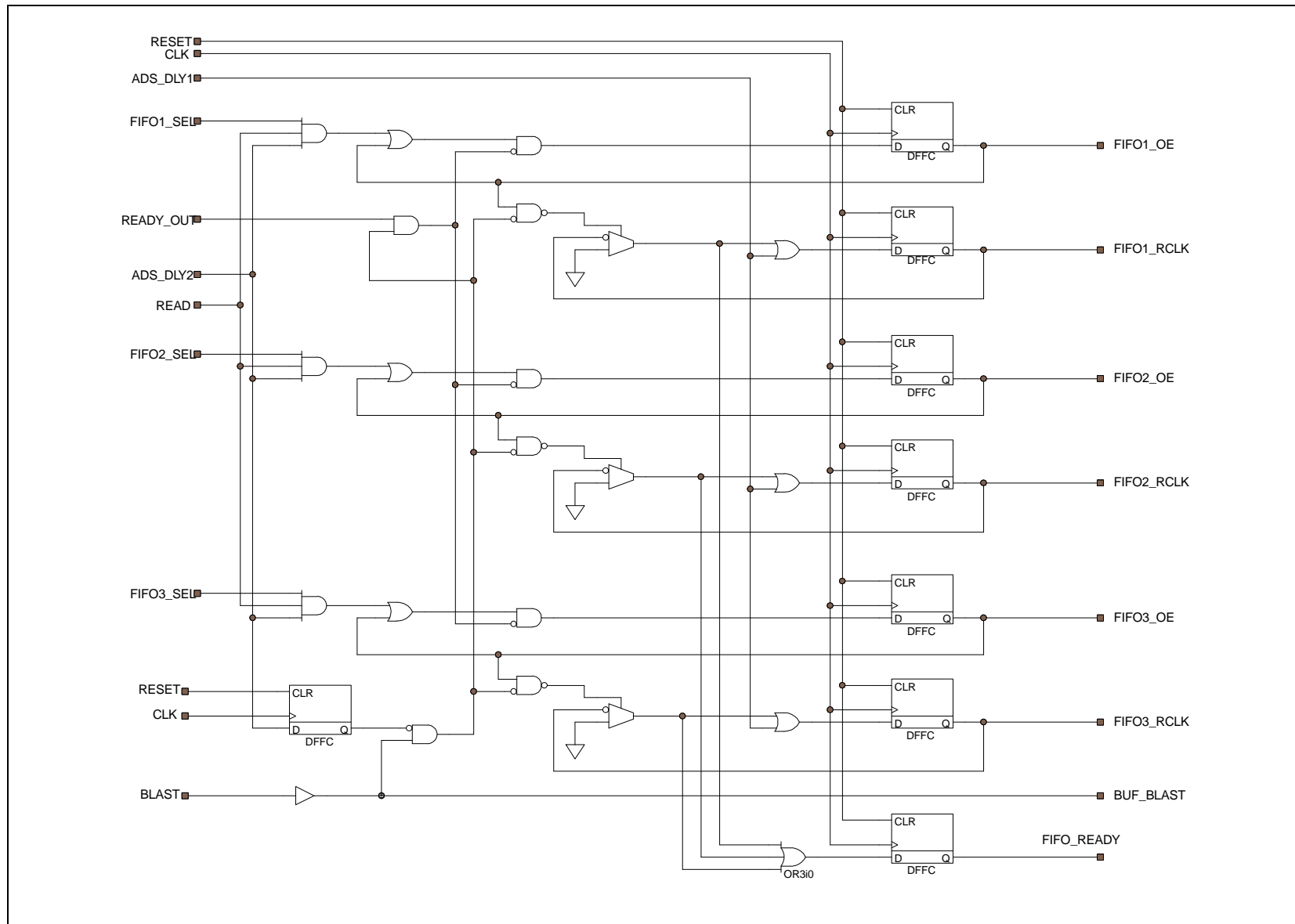
Misc Logic FPGA—Sheet 2



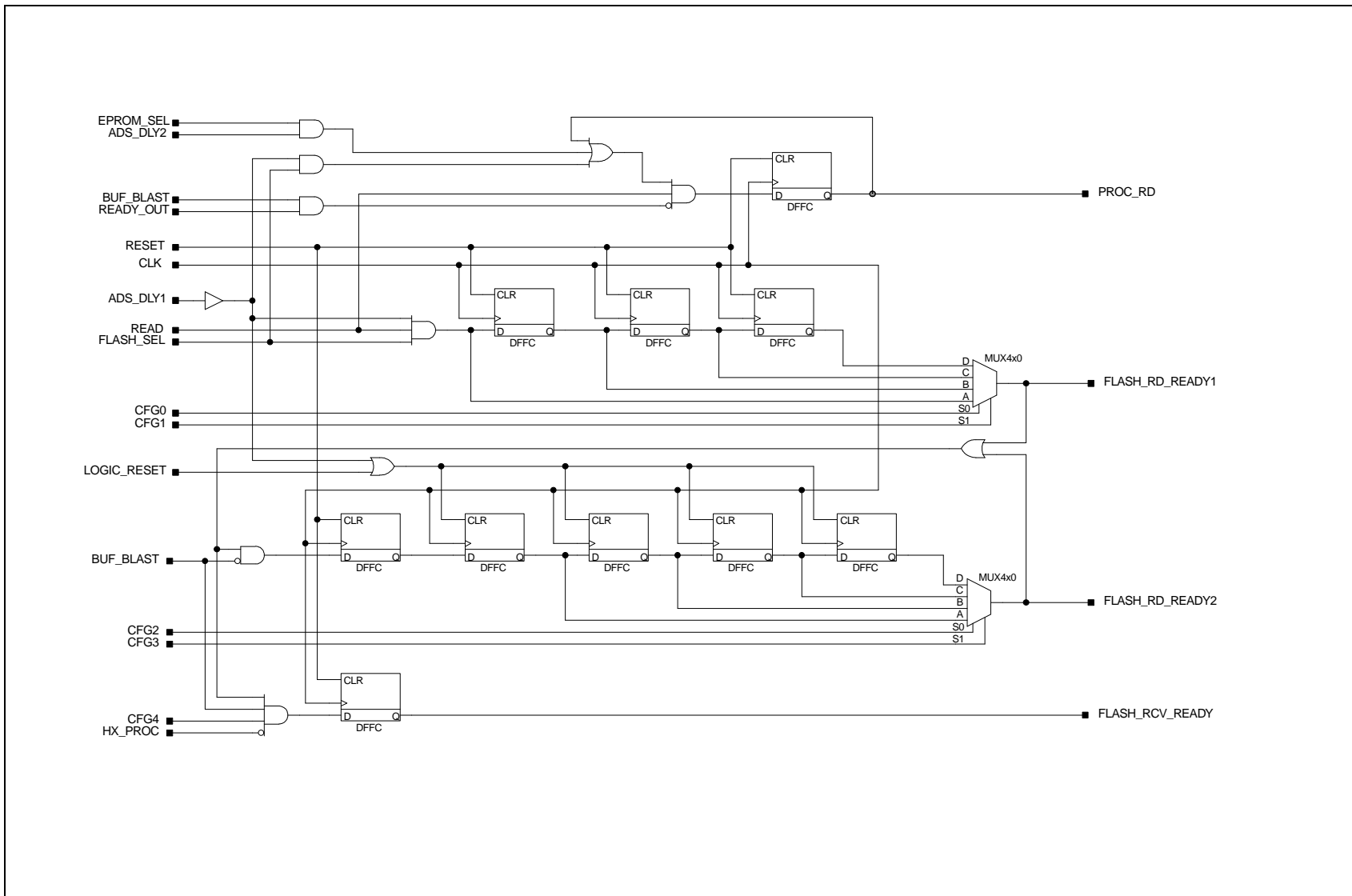
Misc Logic FPGA—Sheet 3



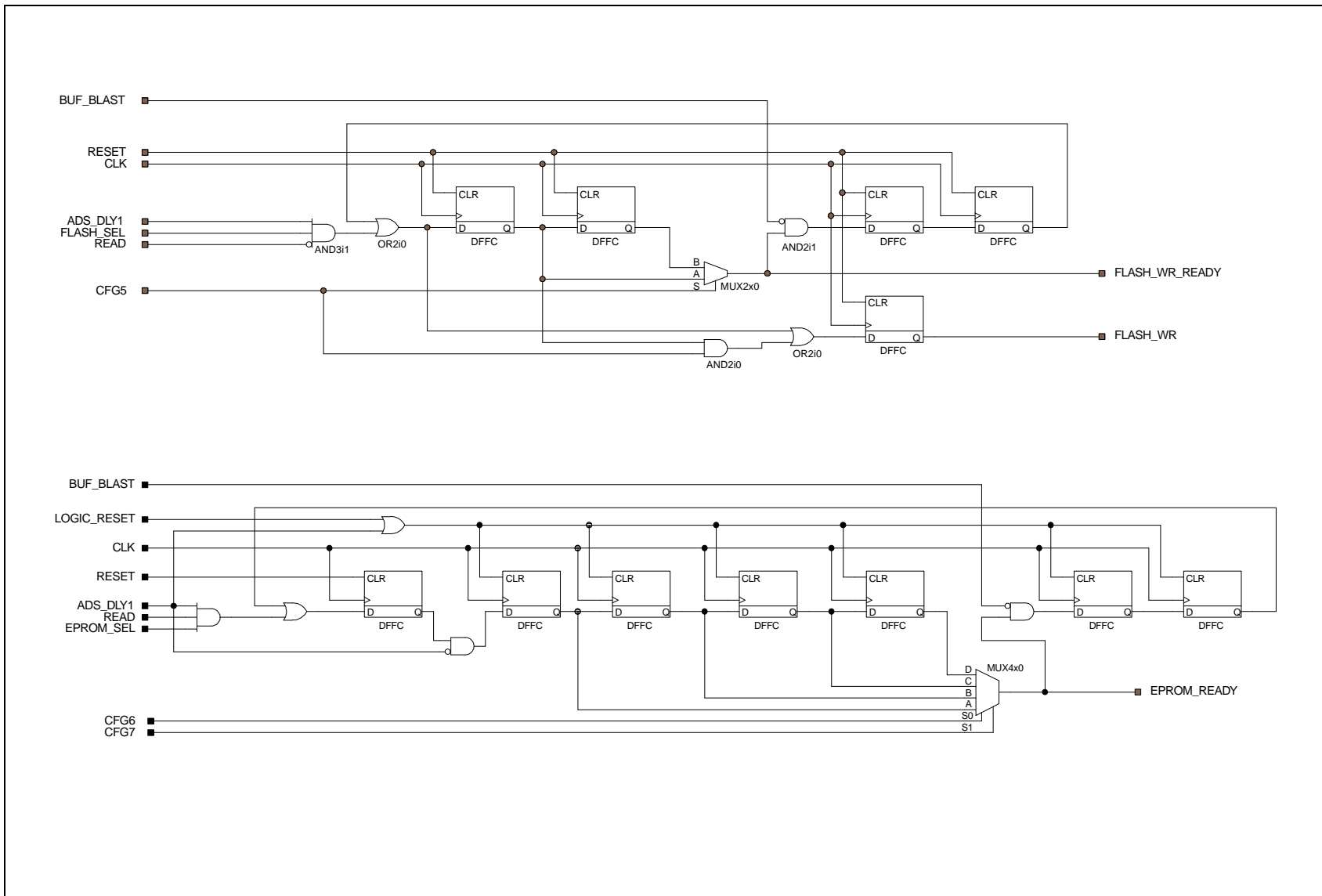
Misc Logic FPGA—Sheet 4



Misc Logic FPGA—Sheet 5

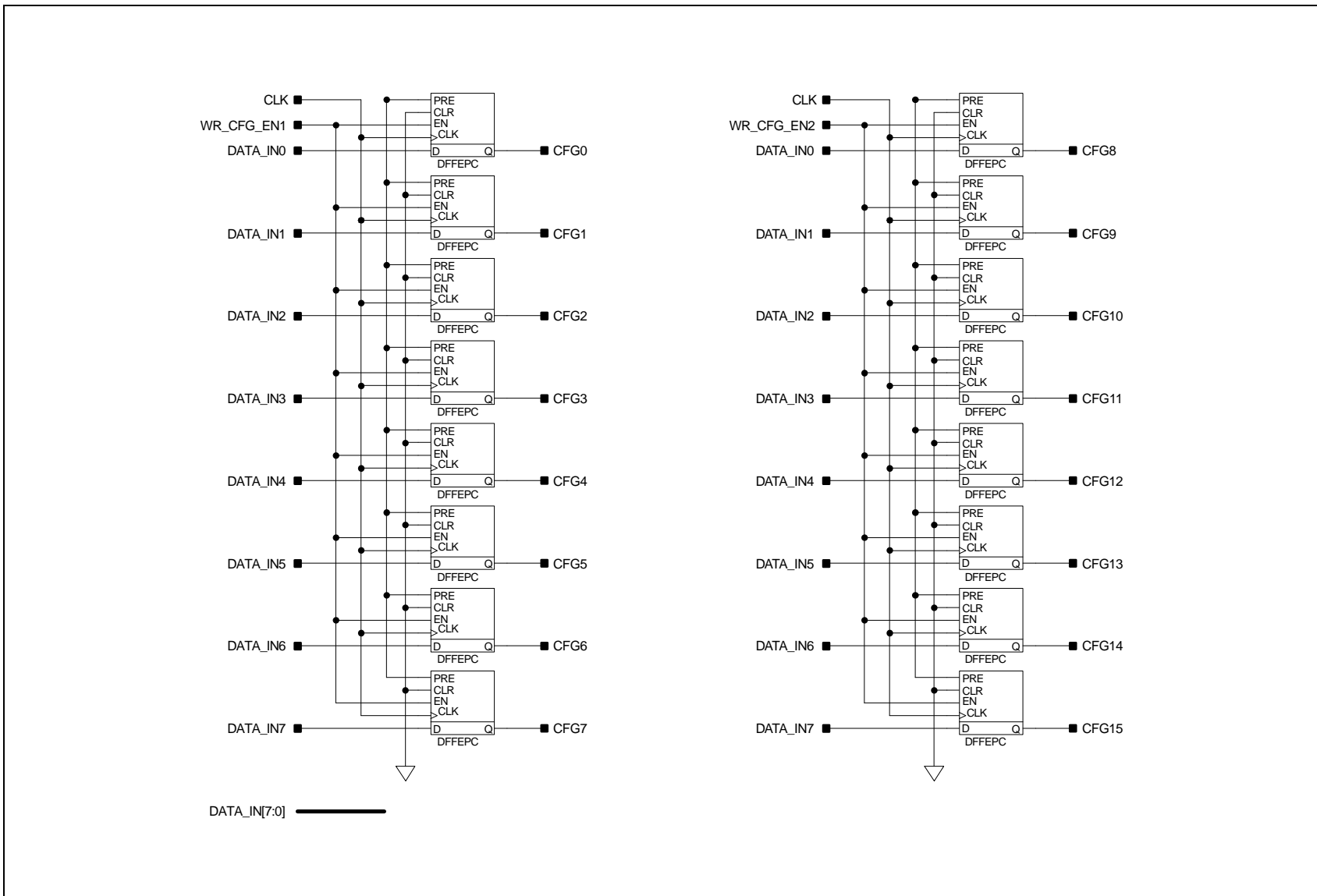


Misc Logic FPGA—Sheet 6

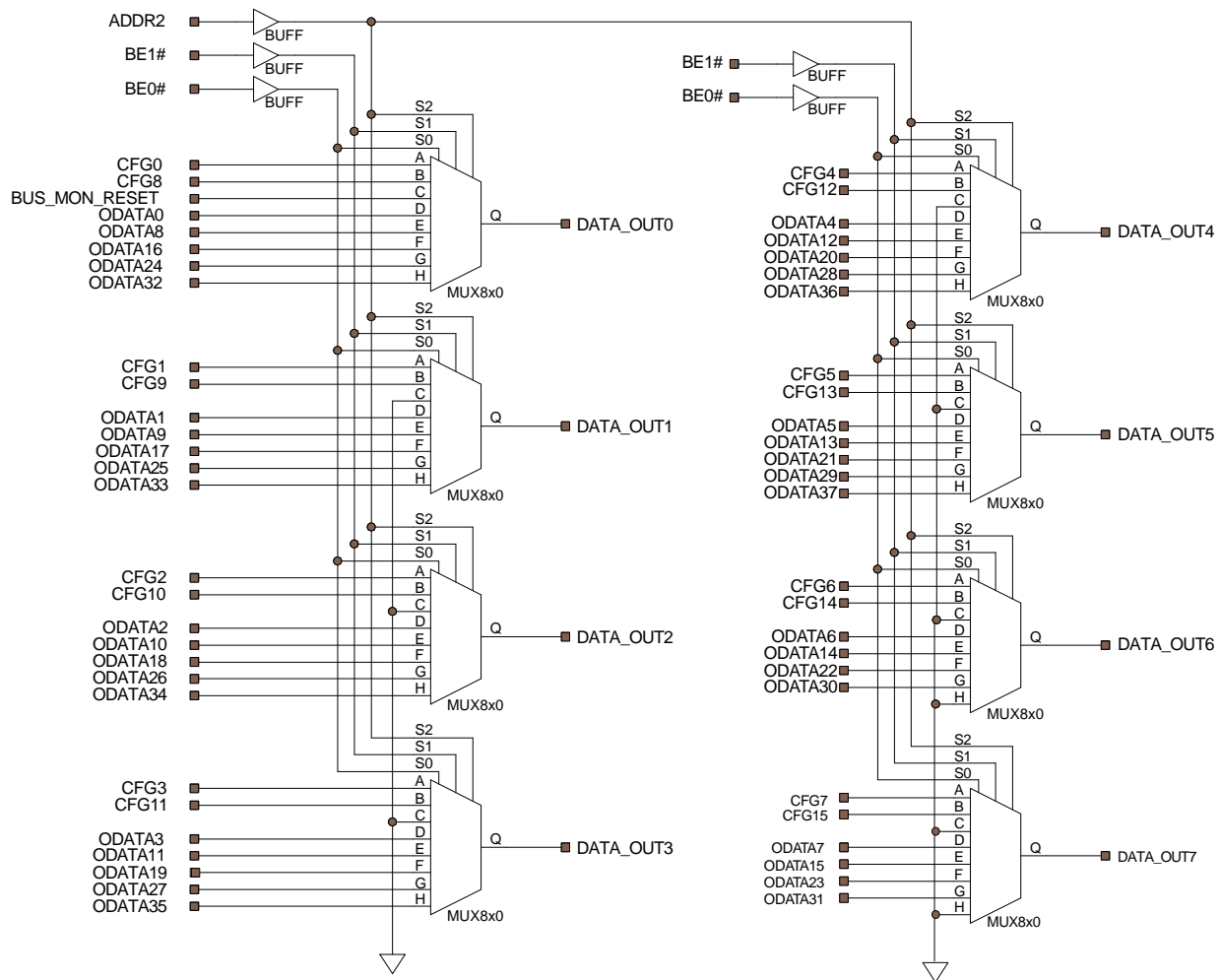


Misc Logic FPGA—Sheet 7

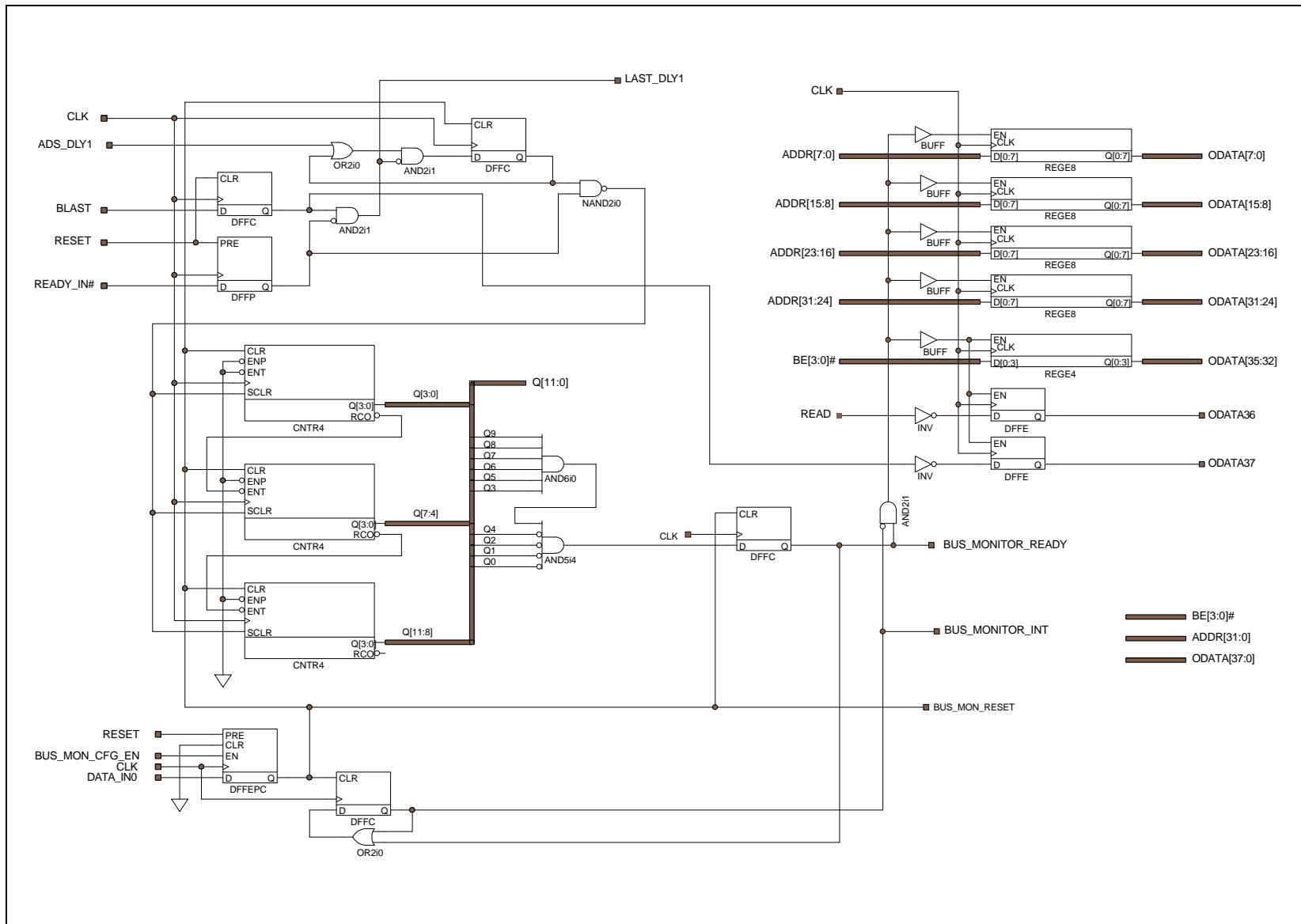




Misc Logic FPGA—Sheet 8

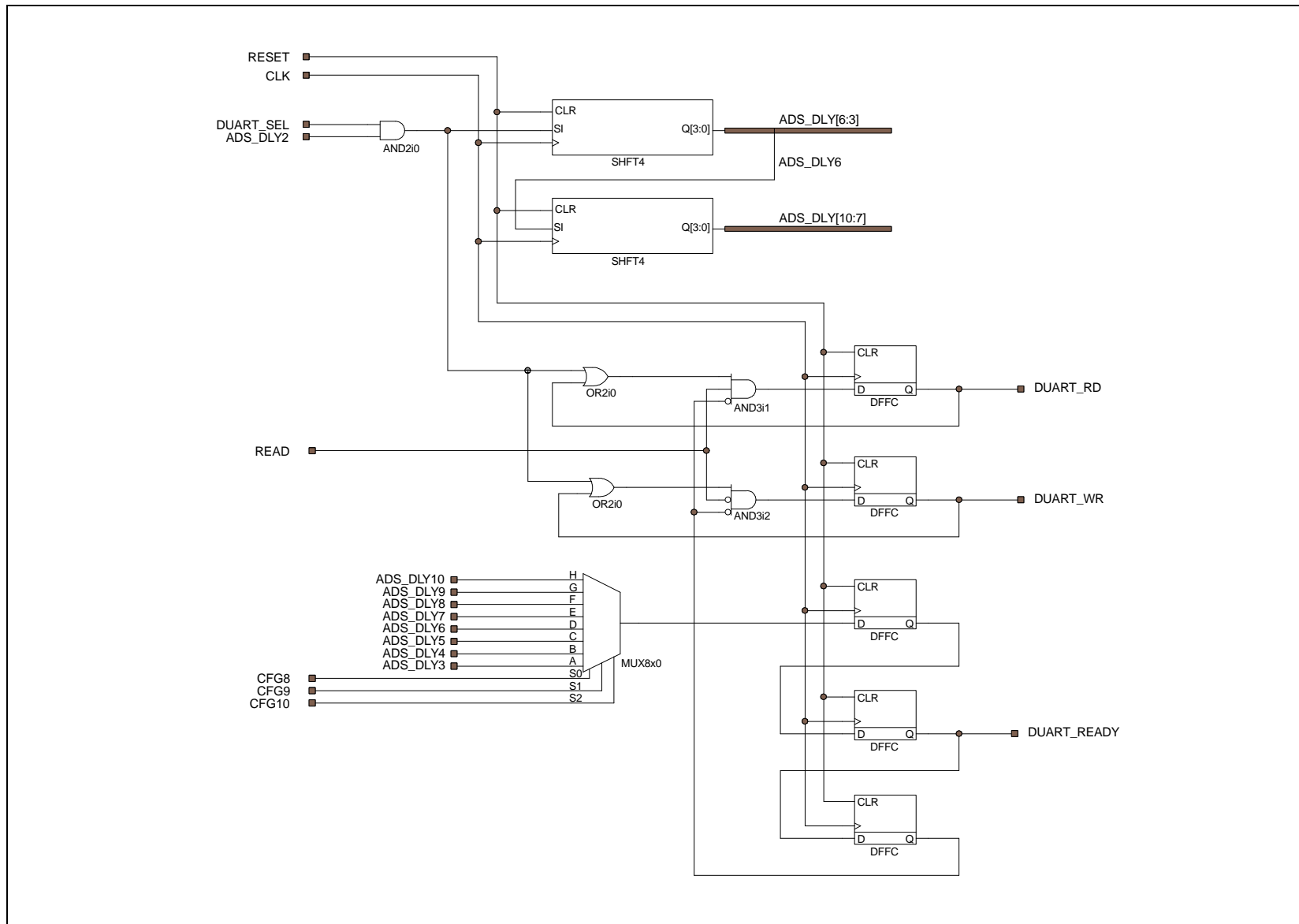


Misc Logic FPGA—Sheet 9



Misc Logic FPGA—Sheet 10





Misc Logic FPGA—Sheet 12