

# (Technical)

**Document No. :** MJL-LD-AN-2  
**Author:** [twaha@mjl.co.kr]  
**Version:** 1.0  
**Date:** 2000 3 25  
**Subject:** **ATMEL Serial ROM**

---

Altera Configuration Devices EPC2, EPC1, EPC1441, EPC1213, EPC1064,  
 EPC1064V 6 가 EPC2, EPC1, EPC1441 가

EPC2 JTAG mode Flash EPC1, EPC1441  
 OTP

(R&D) 가

가 가 가

가 SRAM Based FPGA 가 Density 가 FPGA  
 가 Configuration Device 가

Altera Configuration Device Atmel Configuration Device

APEX & FLEX Device	Altera Configuration Device	Atmel Configuratin Device
EP20K100	EPC2	AT17C020A
EP20K200	Two EPC2 Devices	Two AT17C020A Devices
EP20K400	Three EPC2 Devices	Three AT17C020A Devices
EPF10K10, EPF10K10A	EPC1441	AT17C512A, AT17LV512A
EPF10K20	EPC1441	AT17C512A, AT17LV512A
EPF10K30E	EPC1	AT17C010A, AT17LV010A

EPF10K30, EPF10K30A	EPC1441	AT17C512A, AT17LV512A
EPF10K40	EPC1	AT17C010A, AT17LV010A
EPF10K50, EPF10K50V,EPF10K50E	EPC1	AT17C010A, AT17LV010A
EPF10K70	EPC1	AT17C010A, AT17LV010A
EPF10K100, EPF10K100A, EPF10K100B, EPF10K100E	EPC2	AT17C020A
EPF6010A	EPC1441	AT17C512A, AT17LV512A
EPF6016, EPF6016A	EPC1441	AT17C512A, AT17LV512A
EPF6024A	EPC1441	AT17C512A, AT17LV512A

Atmel FPGA Configuration EEPROM 가  
. AT17C128, AT17C256 ...

Altera FPGA Configuration EEPROM "A"가 . Altera  
. Altera FPGA FLEX8000 Series FPGA 가 configuration clock  
Master Mode Configuration FLEX6000, FLEX10K, APEX20K Series FPGA  
configuration clock data downloading Passive Serial Mode

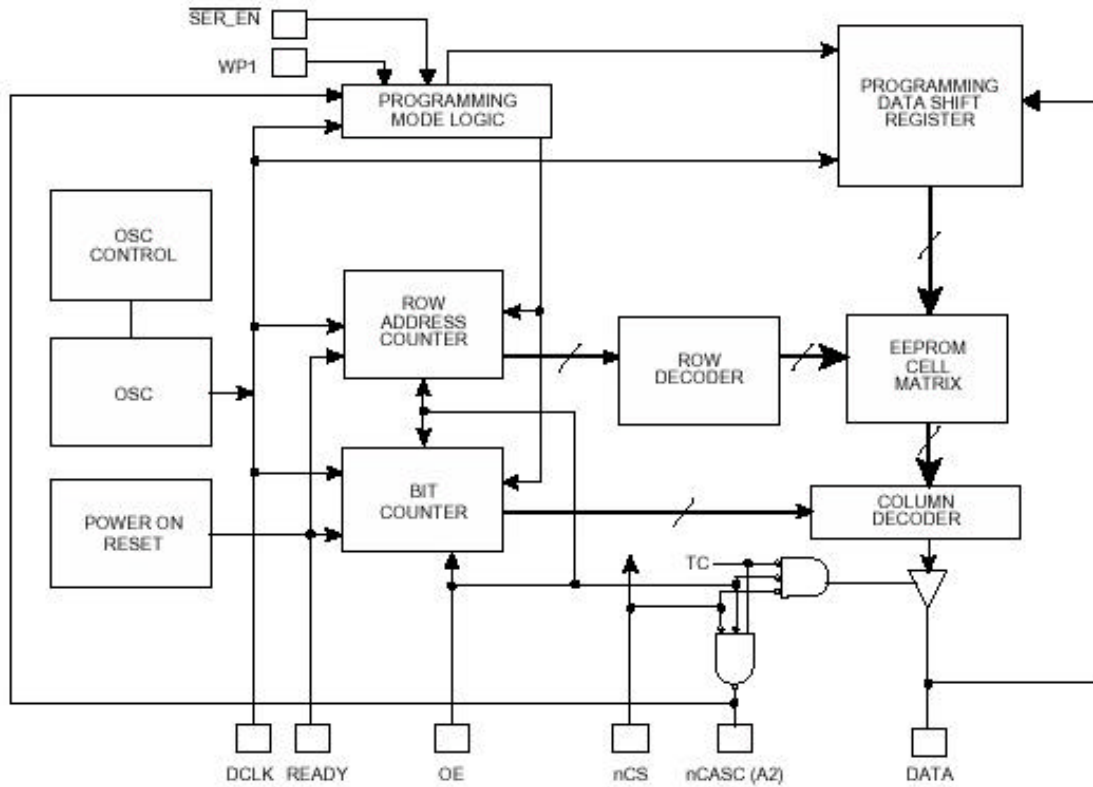
Xilinx Orca 가  
"xilinx Orca Atmel EEPROM Altera 가?"

DCLK pin configuration clock  
가

AT17C512A 가 Altera EEPROM EEPROM clock  
generator 가 가 .

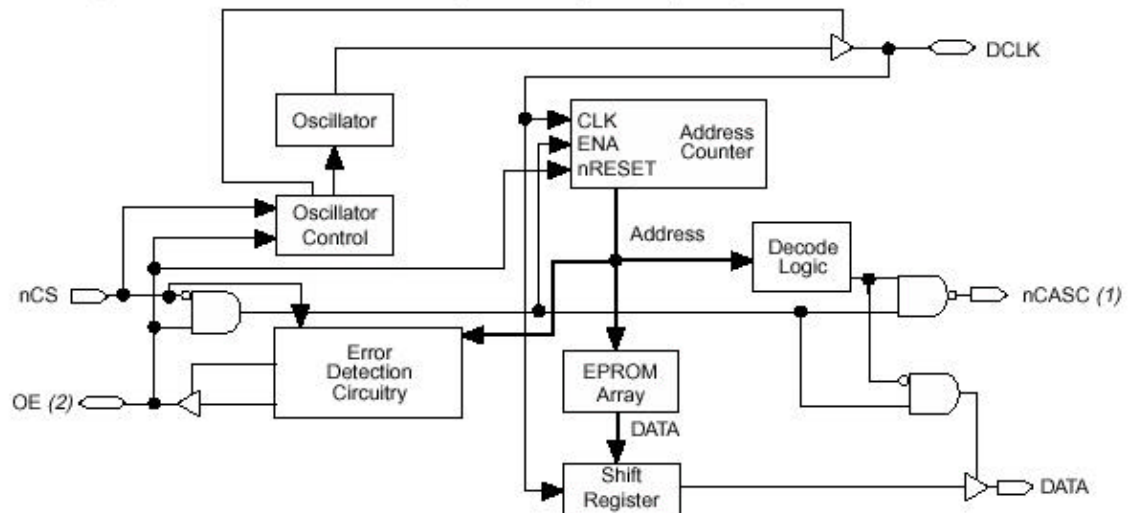
ATMEL EEPROM ALTERA PROM Block Diagram .

## Block Diagram



1 ATMEL EEPROM Block Diagram

## APEX 20K, FLEX 10K & FLEX 6000 Device Configuration Using an EPC2, EPC1, or EPC1441



2 ALTERA PROM Block Diagram

- package . EPC2 PLCC-20 pin package EPC1441 DIP-8 pin  
package . Atmel Altera EEPROM PLCC-20 pin
- 가 project
- 1) PCB PLCC-20 package 가 DIP-8 package  
Atmel EEPROM EPC1441
- 2) EPC1441 PLCC-20 pin package 가 pin compatible  
EPC1 EPC1441 package
- 3) EPC2 ATMEL AT17C010A  
EPC2 ByteBlasterMV cable JTAG-mode programming , Atmel  
EEPROM . Atmel  
... (ByteBlasterMV cable EPC2 Writing " :MJL-LD-AN-1,  
ByteBlaster Cable JTAG MAX+plus II EPC2 Download "
- 4) 가 PCB 가 DIP-8 package AT17LV512A  
20pin 8pin daughter board( )가 . Atmel  
Altera

## Revision History

---

- 2000-3-25 - Ver 1.0: Initialize Release...