

---

# EEL 5722C

## Field-Programmable Gate Array Design

### Lecture 14: Introduction to SystemC\*

Prof. Mingjie Lin



# Outline

---

- Needed tools
- Starting example
- Introduction
- SystemC highlights
- Differences
- Modules, processes, ports, signals, clocks and data types

# Needed tools

---

- SystemC library package v2.0.1  
Download in [www.systemc.org](http://www.systemc.org)
- Linux platform
- GCC compiler
- GTKWave – Waveform tool
- some text editor

# Install SystemC

---

See Course Webpage

# Starting Example: Full Adder

---

FullAdder.h

```

SC_MODULE( FullAdder ) {

    sc_in< sc_uint<16> > A;
    sc_in< sc_uint<16> > B;
    sc_out< sc_uint<17> > result;

    void dolt( void );

    SC_CTOR( FullAdder ) {

        SC_METHOD( dolt );
        sensitive << A;
        sensitive << B;

    }

};

```

FullAdder.cpp

```

void FullAdder::dolt( void ) {
    sc_int<16> tmp_A, tmp_B;
    sc_int<17> tmp_R;

    tmp_A = (sc_int<16>) A.read();
    tmp_B = (sc_int<16>) B.read();

    tmp_R = tmp_A + tmp_B;

    result.write( (sc_uint<16>) tmp_R.range(15,0) );
}

```

# Introduction

---

- *What is SystemC ?*
  - SystemC is a C++ class library and methodology that can effectively be used to create a cycle-accurate model of a system consisting of software, hardware and their interfaces.

# Introduction

---

- *Where can I use SystemC ?*
  - In creating an executable specification of the system to be developed.
- *What should I know to learn SystemC ?*
  - Notions of C++ programming and VHDL helps you a lot.

# SystemC highlights

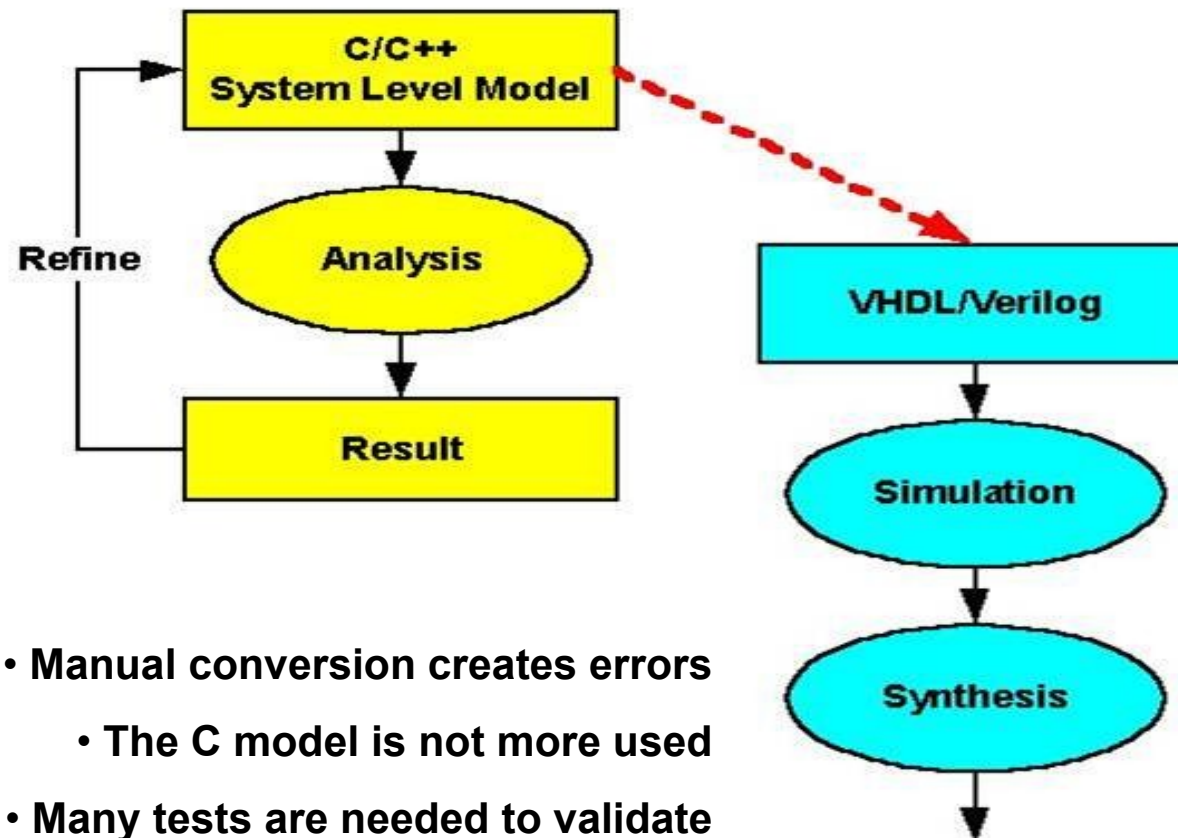
---

- Supports hardware and software co-design
  - Developing an executable specification avoids inconsistency and errors
  - Avoids wrong interpretation of the specification
  - SystemC has a rich set of data types for you to model your systems
  - It allows multiple abstraction levels, from high level design down to cycle-accurate RTL level
-



# Why is SystemC different ?

- Current design methodology

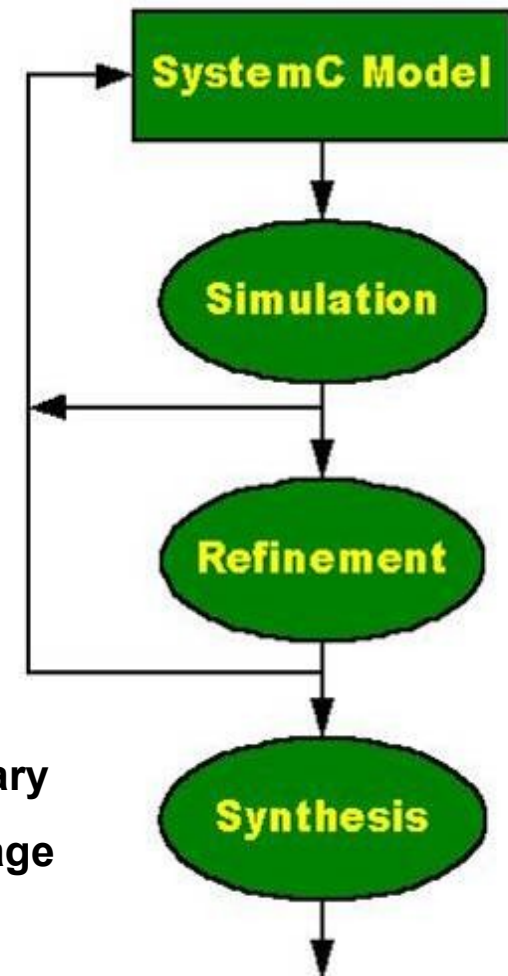


- Manual conversion creates errors
  - The C model is not more used
- Many tests are needed to validate

# Why is SystemC different ?

---

- SystemC design methodology



- Better methodology, translate is not necessary
  - Written in only one language
-

# Modules

---

- Modules are the basic building blocks to partition a design
- Modules allow to partition complex systems in smaller components
- Modules hide internal data representation, use interfaces
- Modules are classes in C++
- Modules are similar to „*entity*“ in VHDL

# Modules

---

```
SC_MODULE(module_name)  
{  
    // Ports declaration  
    // Signals declaration  
    // Module constructor : SC_CTOR  
    // Process constructors and sensibility list  
    //          SC_METHOD  
    // Sub-Modules creation and port mappings  
    // Signals initialization  
}
```

**They can contain ports, signals, local data,  
other modules, processes and constructors.**

---

# Modules

---

- Module constructor
- Similar to „*architecture*“ in VHDL

Example: Full Adder constructor

```
SC_CTOR( FullAdder ) {  
    SC_METHOD( doIt );  
    sensitive << A;  
    sensitive << B;  
}
```

# Modules

---

- Sub-modules instantiation:
- Instantiate module

```
Module_type Inst_module ("label");
```

- Instantiate module as a pointer

```
Module_type *pInst_module;
```

```
// Instantiate at the module constructor SC_CTOR
```

```
pInst_module = new module_type ("label");
```

---

# Modules

---

- How to connect sub-modules ?
  - Named Connection or
  - Positional Connection

# Modules

---

- Named Connection

```
Inst_module.a(s);  
Inst_module.b(c);  
Inst_module.q(q);  
  
pInst_module -> a(s);  
pInst_module -> b(c);  
pInst_module -> q(q);
```



# Modules

---

- Positional Connection

```
Inst_module << s << c << q;  
(*pInst_module)(s,c,q);
```

# Modules

---

- Internal Data Storage
- Local variables: can not be used to connect ports
- Allowed data types
  - C++ types
  - SystemC types
  - User defined types

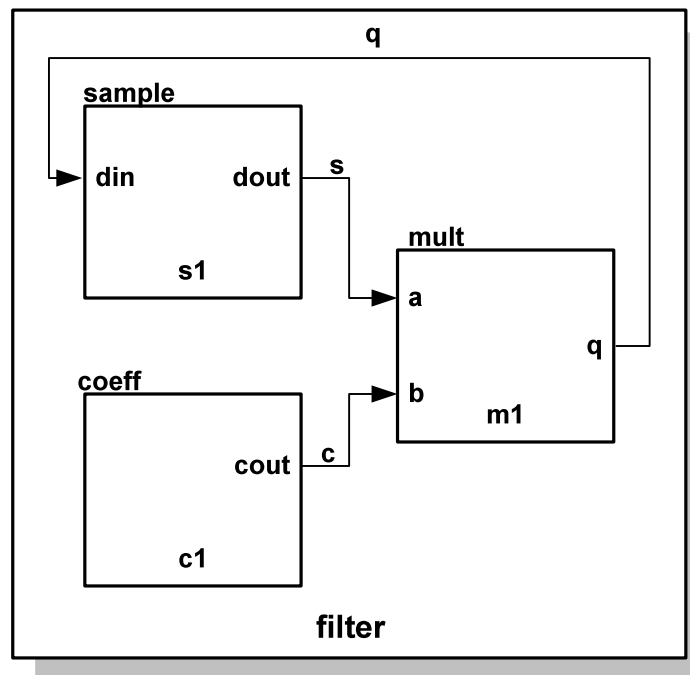
# Modules

- Example: Mux 2:1

```
SC_MODULE( Mux21 ) {  
  
    sc_in< sc_uint<8> > in1;  
    sc_in< sc_uint<8> > in2;  
    sc_in< bool >      selection;  
    sc_out< sc_uint<8> > out;  
  
    void doIt( void );  
  
    SC_CTOR( Mux21 ) {  
  
        SC_METHOD( doIt );  
        sensitive << selection;  
        sensitive << in1;  
        sensitive << in2;  
  
    }  
  
};
```

# Modules

- Example:



```

SC_MODULE(filter) {
    // Sub-modules : "components"
    sample *s1;
    coeff *c1;
    mult *m1;

    sc_signal<sc_uint 32> > q, s, c; // Signals

    // Constructor : "architecture"
    SC_CTOR(filter) {

        // Sub-modules instantiation and mapping
        s1 = new sample ("s1");
        s1->din(q); // named mapping
        s1->dout(s);

        c1 = new coeff("c1");
        c1->out(c); // named mapping

        m1 = new mult ("m1");
        (*m1)(s, c, q); // Positional mapping

    }
}

```

# Processes

---

- Processes are functions that are identified to the SystemC kernel. They are called if one signal of the sensitivity list changes its value.
- Processes implement the functionality of modules
- Processes are very similar to a C++ function or method
- Processes can be Methods, Threads and CThreads

# Processes

---

- **Methods**

When activated, executes and returns

- SC\_METHOD(process\_name)

- **Threads**

Can be suspended and reactivated

- wait() -> suspends
- one sensitivity list event -> activates
- SC\_THREAD(process\_name)

- **CThreads**

Are activated in the clock pulse

- SC\_CTHREAD(process\_name, clock value);

# Processes

Type	SC_METHOD	SC_THREAD	SC_CTHREAD
Activates Exec.	Event in sensit. list	Event in sensit. List	Clock pulse
Suspends Exec.	NO	YES	YES
Infinite Loop	NO	YES	YES
suspended/ reactivated by	N.D.	wait()	wait() wait_until()
Constructor & Sensibility definition	SC_METHOD( <i>call_back</i> ); sensitive( <i>signals</i> ); sensitive_pos( <i>signals</i> ); sensitive_neg( <i>signals</i> );	SC_THREAD( <i>call_back</i> ); sensitive( <i>signals</i> ); sensitive_pos( <i>signals</i> ); sensitive_neg( <i>signals</i> );	SC_CTHREAD( <i>call_back</i> , <i>clock.pos()</i> ); SC_CTHREAD( <i>call_back</i> , <i>clock.neg()</i> );

# Processes

- Process Example

Into the .H file

```
void doIt( void );  
  
SC_CTOR( Mux21 ) {  
    SC_METHOD( doIt );  
    sensitive << selection;  
    sensitive << in1;  
    sensitive << in2;  
  
}
```

Into the .CPP file

```
void Mux21::doIt( void ) {  
    sc_uint<8> out_tmp;  
  
    if( selection.read() ) {  
        out_tmp = in2.read();  
    } else {  
        out_tmp = in1.read();  
    }  
  
    out.write( out_tmp );  
}
```



# Ports and Signals

---

- Ports of a module are the external interfaces that pass information to and from a module
- In SystemC one port can be *IN*, *OUT* or *INOUT*
- Signals are used to connect module ports allowing modules to communicate
- Very similar to ports and signals in VHDL

# Ports and Signals

---

- Types of ports and signals:
  - All natives C/C++ types
  - All SystemC types
  - User defined types
  
- How to declare
  - IN : `sc_in<port_typ>`
  - OUT : `sc_out<port_type>`
  - Bi-Directional : `sc_inout<port_type>`

# Ports and Signals

---

- How to read and write a port ?
  - Methods *read( )*; and *write( )*;
- Examples:
  - `in_tmp = in.read( ); //reads the port in to in_tmp`
  - `out.write(out_temp); //writes out_temp in the out port`

# Clocks

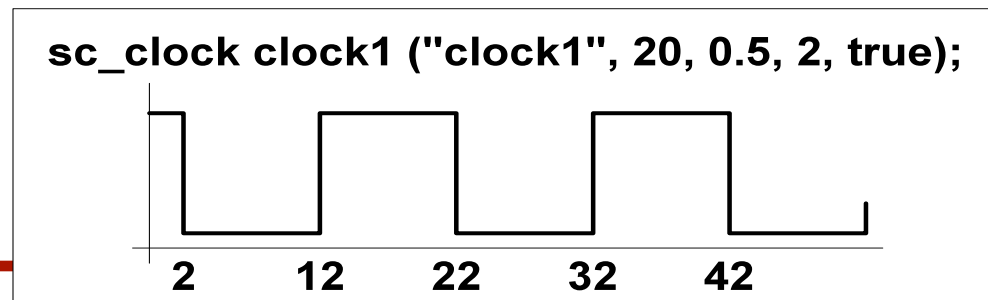
- Special object
- How to create ?

```
sc_clock clock_name (  
    "clock_label", period, duty_ratio, offset,  
    initial_value );
```

- Clock connection

```
f1.clk( clk_signal ); //where f1 is a
```

- Clock example:



# Hello World!

---

```
1 // All systemc modules should include systemc.h header file
2 #include "systemc.h"
3 // Hello_world is module name
4 SC_MODULE (hello_world) {
5     SC_CTOR (hello_world) {
6         // Nothing in constructor
7     }
8     void say_hello() {
9         //Print "Hello World" to the console.
10        cout << "Hello World.\n";
11    }
12 };
13
14 // sc_main in top level function like in C++ main
15 int sc_main(int argc, char* argv[]) {
16     hello_world hello("HELLO");
17     // Print the hello world
18     hello.say_hello();
19     return(0);
20 }
```

# counter

```
1 //-----
2 // This is my second Systemc Example
3 // Design Name : first_counter
4 // File Name : first_counter.cpp
5 // Function : This is a 4 bit up-counter with
6 // Synchronous active high reset and
7 // with active high enable signal
8 //-----
9 #include "systemc.h"
10
11 SC_MODULE (first_counter) {
12     sc_in_clk    clock ;    // Clock input of the design
13     sc_in<bool>  reset ;    // active high, synchronous Reset input
14     sc_in<bool>  enable;    // Active high enable signal for counter
15     sc_out<sc_uint<4> > counter_out; // 4 bit vector output of the counter
16
17     //-----Local Variables Here-----
18     sc_uint<4>    count;
19
20     //-----Code Starts Here-----
21     // Below function implements actual counter logic
22     void incr_count () {
23         // At every rising edge of clock we check if reset is active
24         // If active, we load the counter output with 4'b0000
25         if (reset.read() == 1) {
26             count = 0;
27             counter_out.write(count);
28
29             // If enable is active, then we increment the counter
30         } else if (enable.read() == 1) {
31             count = count + 1;
32             counter_out.write(count);
33             cout<<"@" << sc_time_stamp() <<" :: Incremented Counter "
34             <<counter_out.read()<<endl;
35         } // End of function incr_count
36
37         // Constructor for the counter
38         // Since this counter is a positive edge triggered one,
39         // We trigger the below block with respect to positive
40         // edge of the clock and also when ever reset changes state
41         SC_CTOR(first_counter) {
42             cout<<"Executing new"<<endl;
43             SC_METHOD(incr_count);
44             sensitive << reset;
45             sensitive << clock.pos();
46         } // End of Constructor
47
48     }; // End of Module counter
```

# Final issues

---

- Come by my office hours (right after class)
- Any questions or concerns?